

Technical Information

No. 5544

Edition: 01/07

Substitutes: new
Status: valid



Xenon Short Arc Lamp

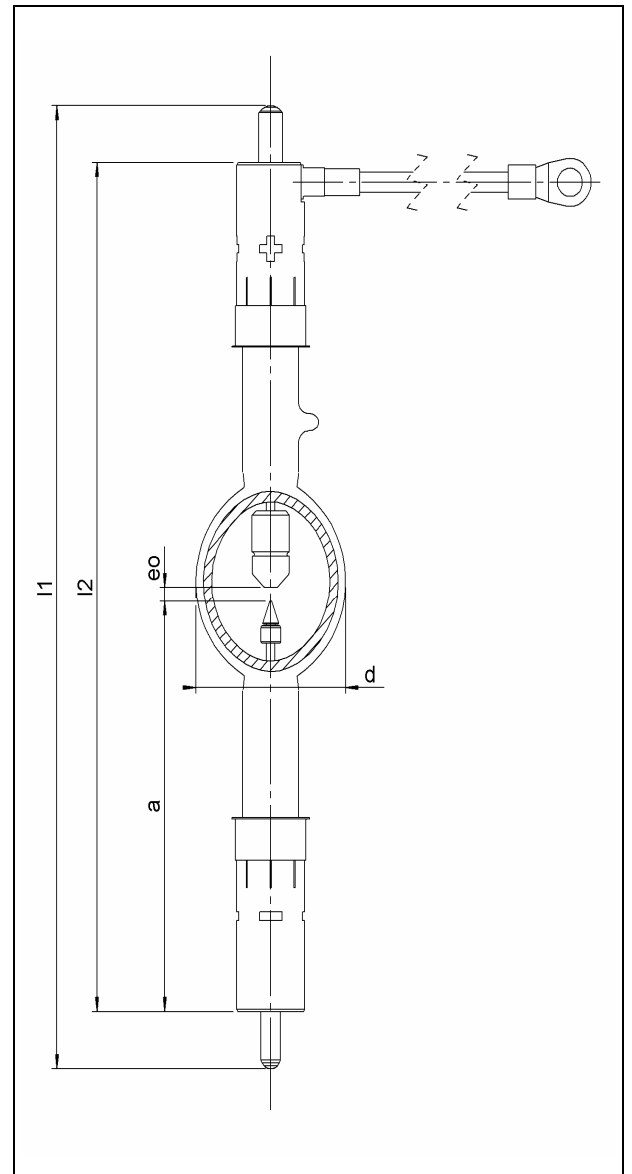
XBO[®] 3000 W/H CL OFR

■ Product description

The OSRAM XBO[®] 3000 W/H CL OFR is a DC-operated lamp that is especially suited for applications requiring excellent arc stability and a high luminance. The CL lamps, which stands for Classic Line, combines the classical Osram features with an optimization on bulb pricing and has the same warranty as the regular standard lamps.

■ Technical data

| | | |
|---------------------------------------------------|----------------------------------|-----------|
| Order reference | XBO [®] 3000 W/H CL OFR | |
| Rated lamp wattage | W | 3000 |
| Rated lamp voltage | V | 29 |
| Rated lamp current (DC) | A | 100 |
| Current control range | A | 60 - 110 |
| Ignition voltage | kV _P | 36 |
| Min. open circuit voltage for cold / hot ignition | V | 85 / 110 |
| Luminous flux | lm | 130000 |
| Luminous intensity | cd | 12000 |
| Average luminance | cd/cm ² | 85000 |
| Luminous area w x h *) | mm | 1.7 x 5.0 |
| Electrode gap e (cold) | mm | 6 |
| Lamp length (overall) l ₁ | mm | max. 428 |
| Lamp length l ₂ | mm | max. 382 |
| LCL a | mm | 167,5 |
| Bulb diameter d | mm | 55 |
| Warranty | h | 1500 |
| Base | Cathode | SFaX27-14 |
| | Anode | SFaX27-13 |



*) w = luminance half width value; h = height of luminous area (corresponds to electrode gap, hot)

■ Lamp operation

| | |
|------------------------------------------------|-----------------------------------------------------------|
| Maximum permissible base temperature | 230 °C |
| Cooling | forced cooling / fan |
| Min. air flow velocity around discharge vessel | 6 m/s |
| Magnetic arc stabilization | necessary for horizontal operation |
| Operating position | s 30 (vertical ± 30°; anode up) ; p 30 (horizontal ± 30°) |